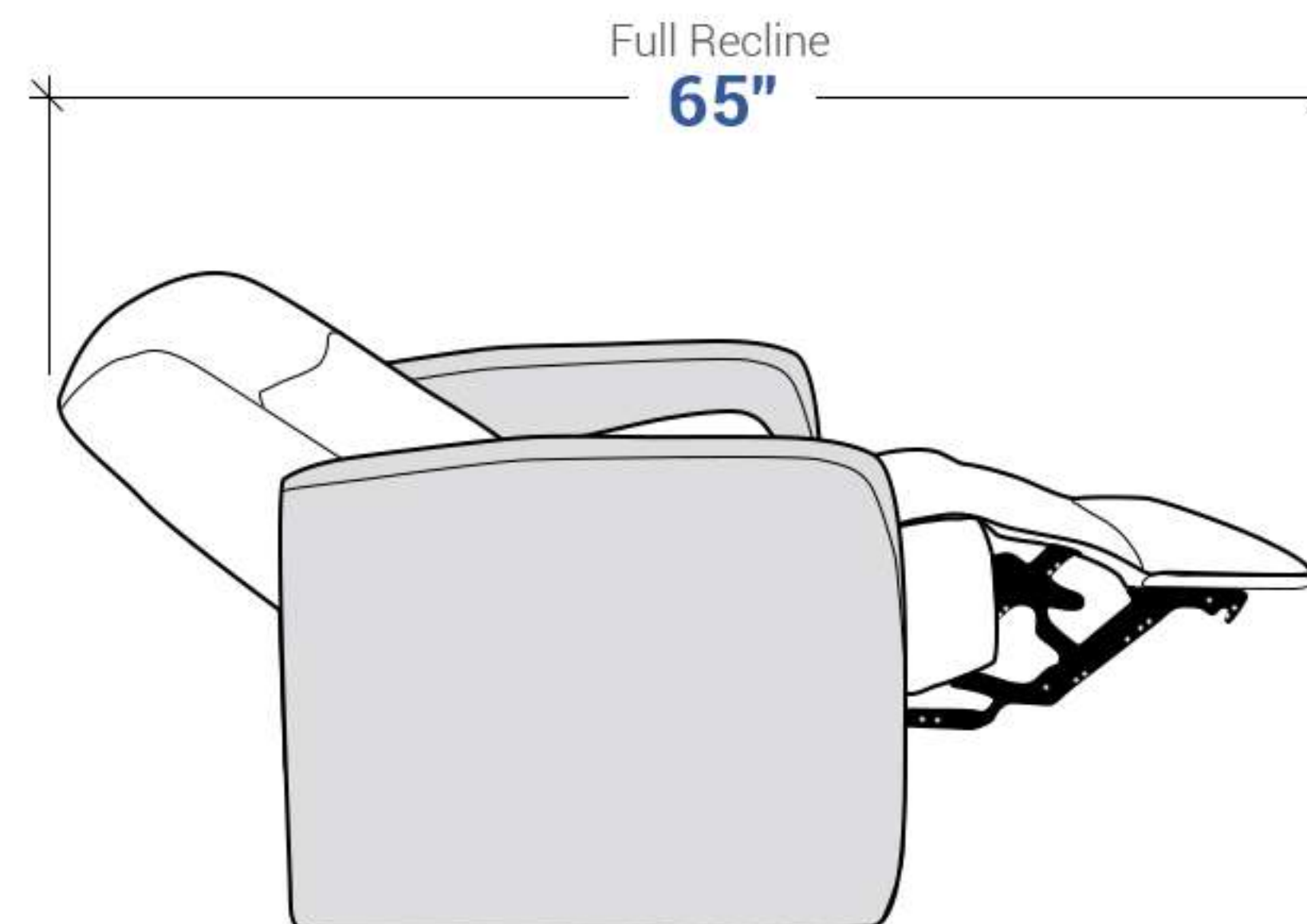
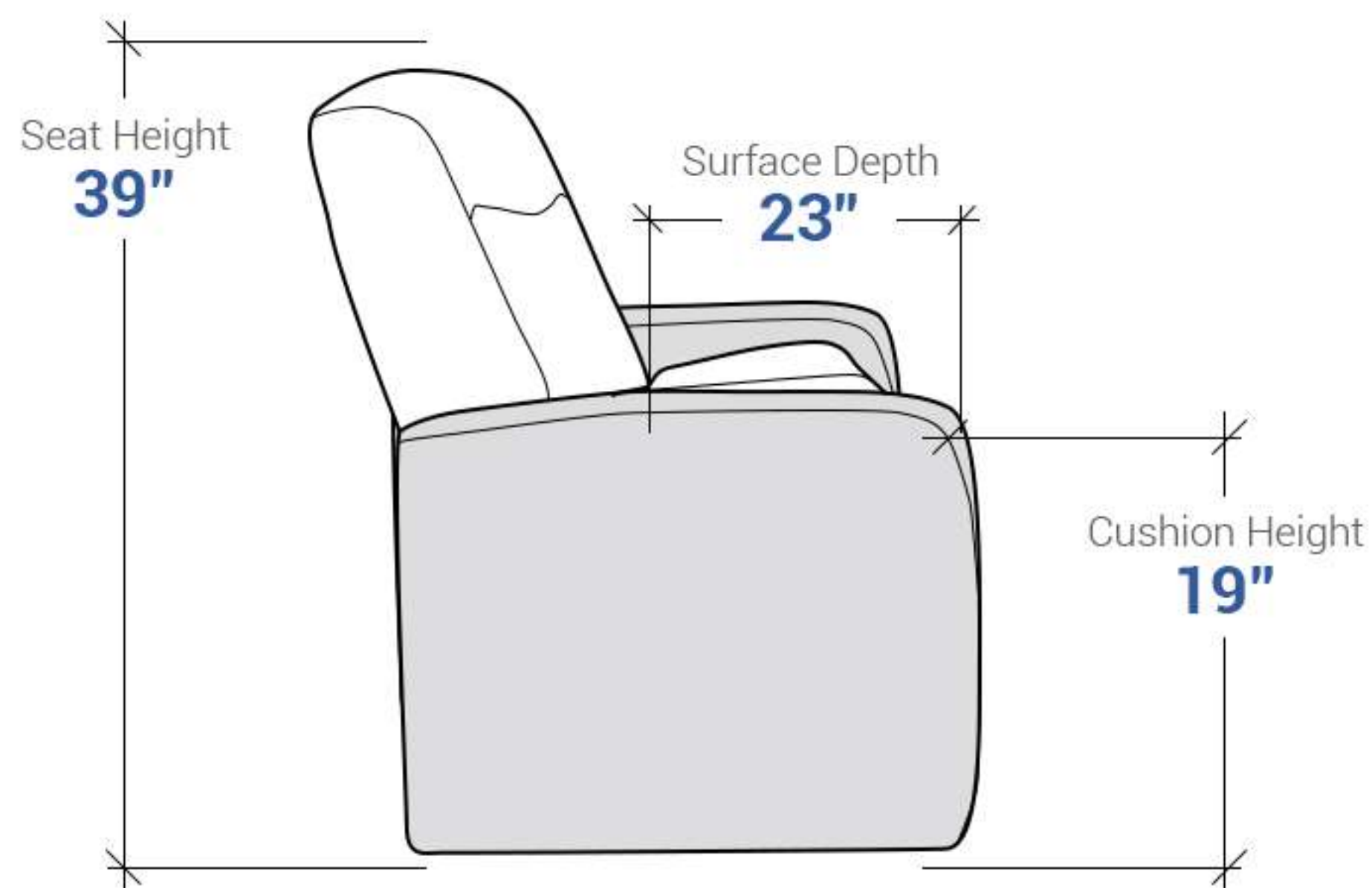
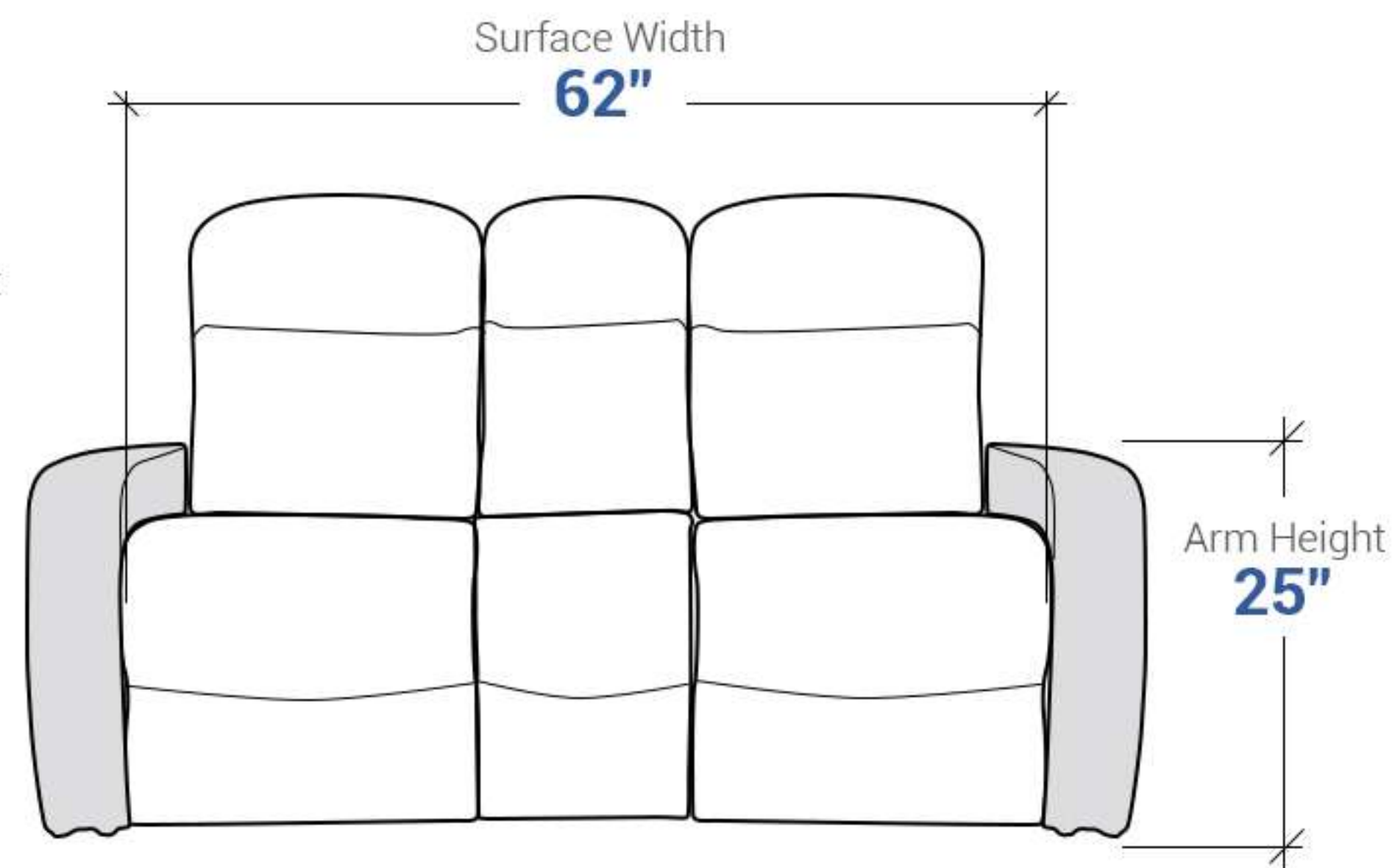
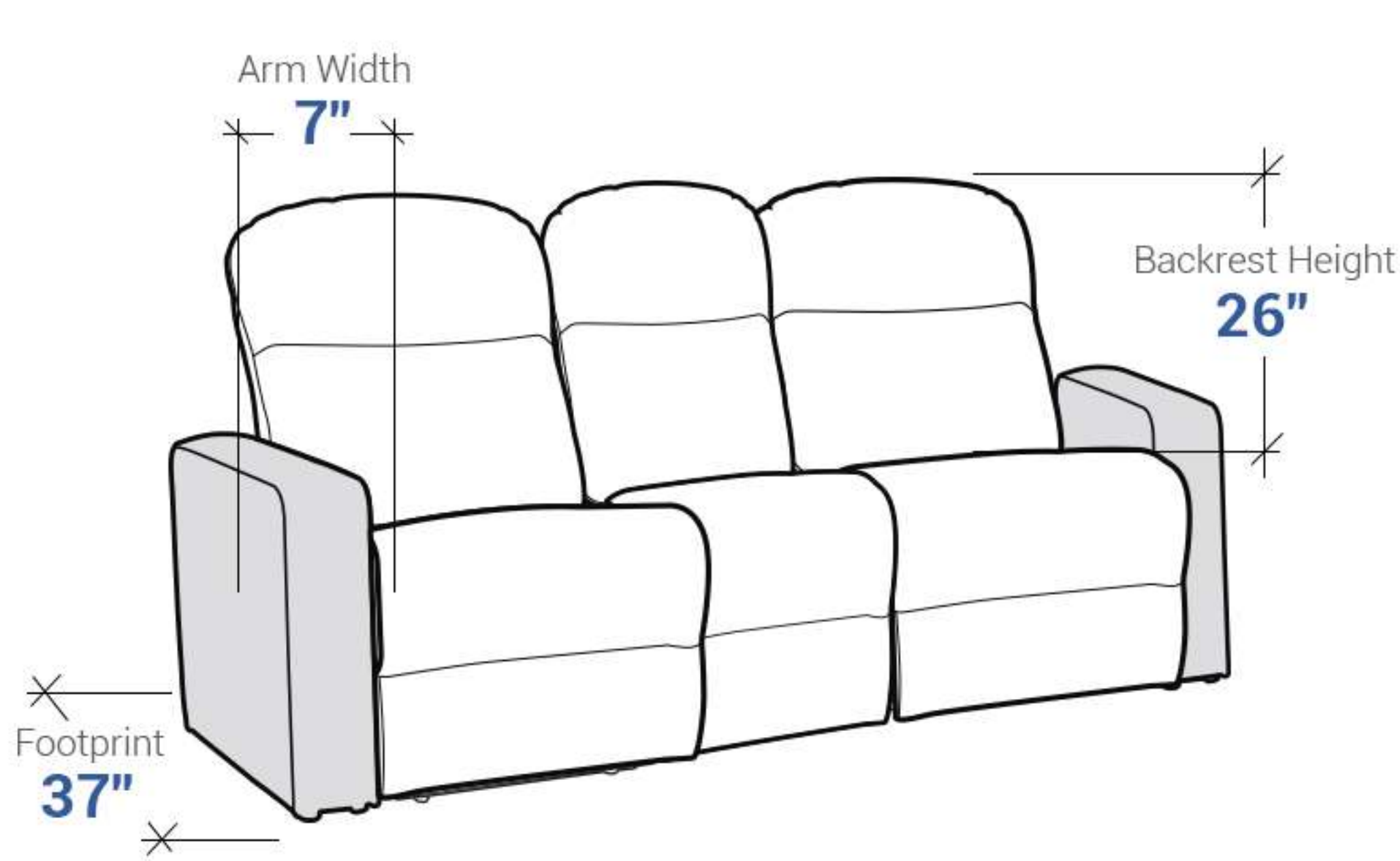


Distance needed from wall for full recline: **3"**



*Rotate Chair 90° to fit
through the door before
attaching backrest



Distance needed from wall for full recline: **3"**



*Rotate Chair 90° to fit through the door before attaching backrest